

DATA SHEET



Three Phase Induction Motor - Squirrel Cage

Customer :																			
Product line	: W22 Close Coupled Pump JM NEMA Premium Efficiency Three-Phase																		
Product code :	12034382																		
Catalog # :	00536ET3E184JM-W22																		
Frame : 182/4JM Output : 5 HP (3.7 kW) Poles : 2 Frequency : 60 Hz Rated voltage : 230/460 V Rated current : 11.8/5.90 A L. R. Amperes : 89.7/44.8 A LRC : 7.6x(Code J) No load current : 4.00/2.00 A Rated speed : 3485 rpm Slip : 3.19 % Rated torque : 1.04 kgfm Locked rotor torque : 229 % Breakdown torque : 350 % Insulation class : F Service factor : 1.25 Moment of inertia (J) : 0.0094 kgm ² Design : B	Locked rotor time : 45s (cold) 25s (hot) Temperature rise : 80 K Duty cycle : Cont.(S1) Ambient temperature : -20°C to +40°C Altitude : 1000 m.a.s.l. Protection degree : IP55 Cooling method : IC411 - TEFC Mounting : F-1 Rotation ¹ : Both (CW and CCW) Noise level ² : 66.0 dB(A) Starting method : Direct On Line Approx. weight ³ : 43.2 kg																		
Output	25% 50% 75% 100%																		
Efficiency (%)	86.1 86.5 88.5 88.5																		
Power Factor	0.51 0.76 0.85 0.89																		
Foundation loads	Max. traction : 63 kgf Max. compression : 106 kgf																		
	<table border="0"> <tr> <td></td> <td style="text-align: center;"><u>Drive end</u></td> <td style="text-align: center;"><u>Non drive end</u></td> </tr> <tr> <td>Bearing type :</td> <td style="text-align: center;">6307 ZZ</td> <td style="text-align: center;">6206 ZZ</td> </tr> <tr> <td>Sealing :</td> <td style="text-align: center;">V'Ring</td> <td style="text-align: center;">V'Ring</td> </tr> <tr> <td>Lubrication interval :</td> <td style="text-align: center;">-</td> <td style="text-align: center;">-</td> </tr> <tr> <td>Lubricant amount :</td> <td style="text-align: center;">-</td> <td style="text-align: center;">-</td> </tr> <tr> <td>Lubricant type :</td> <td colspan="2" style="text-align: center;">Mobil Polyrex EM</td> </tr> </table>		<u>Drive end</u>	<u>Non drive end</u>	Bearing type :	6307 ZZ	6206 ZZ	Sealing :	V'Ring	V'Ring	Lubrication interval :	-	-	Lubricant amount :	-	-	Lubricant type :	Mobil Polyrex EM	
	<u>Drive end</u>	<u>Non drive end</u>																	
Bearing type :	6307 ZZ	6206 ZZ																	
Sealing :	V'Ring	V'Ring																	
Lubrication interval :	-	-																	
Lubricant amount :	-	-																	
Lubricant type :	Mobil Polyrex EM																		
Notes USABLE @208V 13.1A SF 1.15 SFA 15.0A																			
This revision replaces and cancel the previous one, which must be eliminated. (1) Looking the motor from the shaft end. (2) Measured at 1m and with tolerance of +3dB(A). (3) Approximate weight subject to changes after manufacturing process. (4) At 100% of full load.																			
These are average values based on tests with sinusoidal power supply, subject to the tolerances stipulated in NEMA MG-1.																			
Rev.	Changes Summary	Performed	Checked	Date															
Performed by																			
Checked by			Page	Revision															
Date	19/04/2021		1 / 2																

VFD OPERATION CURVE

Three Phase Induction Motor - Squirrel Cage

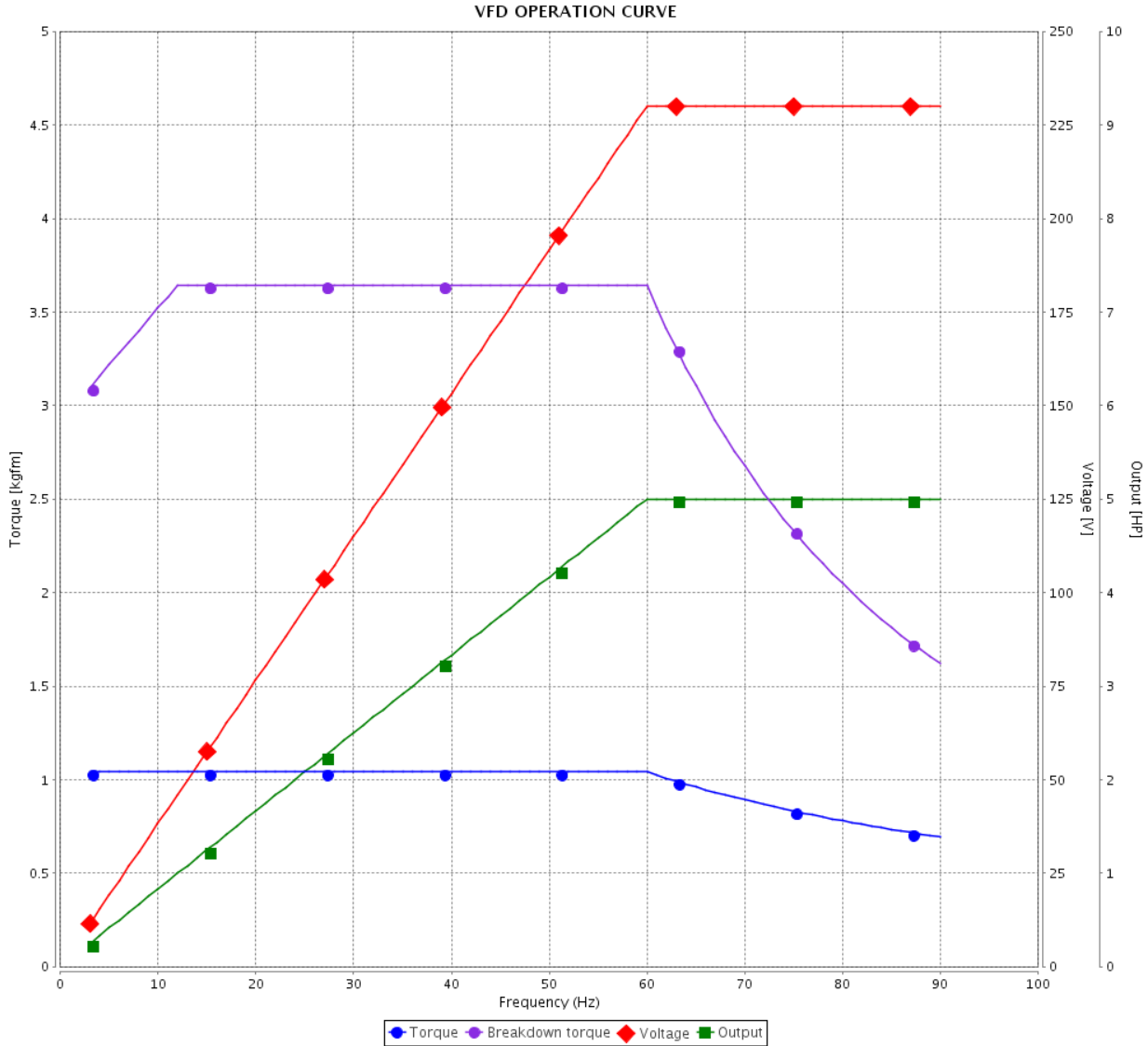


Customer :

Product line : W22 Close Coupled Pump JM
NEMA Premium Efficiency Three-Phase

Product code : 12034382

Catalog # : 00536ET3E184JM-W22



Performance : 230/460 V 60 Hz 2P

Rated current : 11.8/5.90 A
LRC : 7.6
Rated torque : 1.04 kgfm
Locked rotor torque : 229 %
Breakdown torque : 350 %
Rated speed : 3485 rpm

Moment of inertia (J) : 0.0094 kgm²
Duty cycle : Cont.(S1)
Insulation class : F
Service factor : 1.25
Temperature rise : 80 K
Design : B

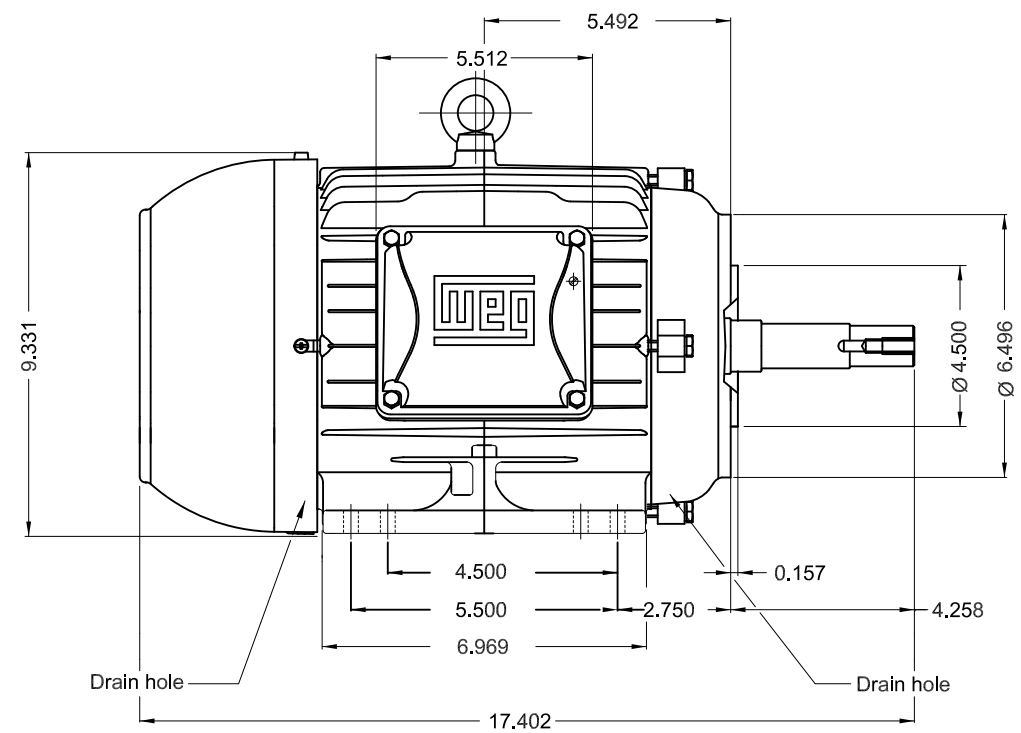
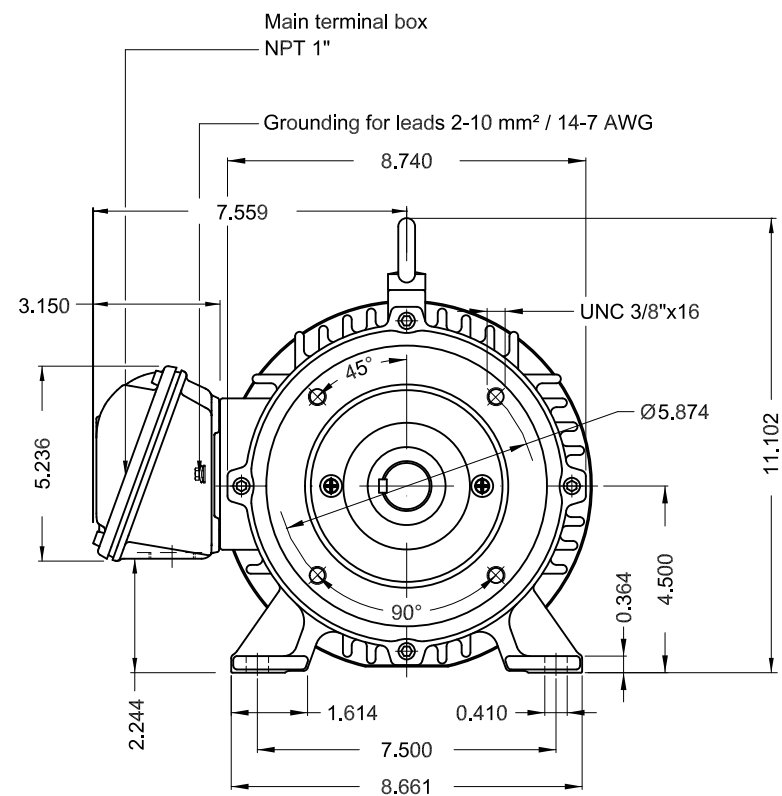
Rev.	Changes Summary	Performed	Checked	Date
Performed by			Page 2 / 2	Revision
Checked by				
Date	19/04/2021			

1 2 3 4 5 6

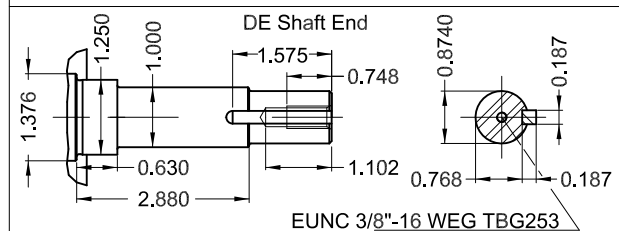
A

B

C



D



E

Color RAL 5009
 Painting plan 207A
 Mounting B34R(D)

5 HP 02 Poles 60Hz

A

ECM	LOC	SUMMARY OF MODIFICATIONS	EXECUTED	CHECKED	RELEASED	DATE	VER
EXECUTED	PIRWBUSER	THREE PHASE MOTOR W22 NEMA PREMIUM EFF.					
CHECKED		FRAME 182/4JM IP55 TEFC					
RELEASED							
REL DT.	WMO	Jaragua do Sul	Product Engineering	SHEET	1 / 1		

PREVIEW
 WDD



Dimensions in inches

XME A3

**W22**

CC029A

® Inverter Duty Motor
Severe Duty

12034382

MADE IN BRAZIL MODEL 00536ET3E184JM-W22

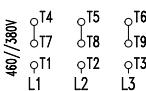
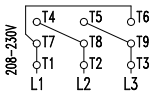
PH 3 | FR 182/4JM | HP(kw) 5.0(3.7) | Hz 60 | SF 1.25 | PF 0.89

V 230/460 | A 11.8/5.90 | RPM 3485 | INS. CL. F Δ T 80 K | IP55

NEMA NOM EFF 88.5 % | DES B | DUTY CONT. | AMB 40°C

ENCL TEFC | SFA 14.8/7.38 | USABLE @208V 13.1 A | SF 1.15 | SFA 15.1

5.0HP 3.7kW 50Hz 380V 7.14A 2850RPM SF1.25 EFF 86.5% (IE2) | CODE J



→ 6307-ZZ

→ 6206-ZZ

MOBIL POLYREX EM

ALT 1000 m.a.s.l. | 95 Lbs

For 60Hz: Class I, Div 2, Gr. A, B, C and D - T3
 Class I, Zone 2, IIC - T3
 Class II, Div 2, Gr. F and G - T5

For use on PWM, Gr. A, B, C, D, F and G
 VT1000:1, CT20:1, 1.0SF, T4A

FOR SAFE AREA
MOD.TE1BFOXON